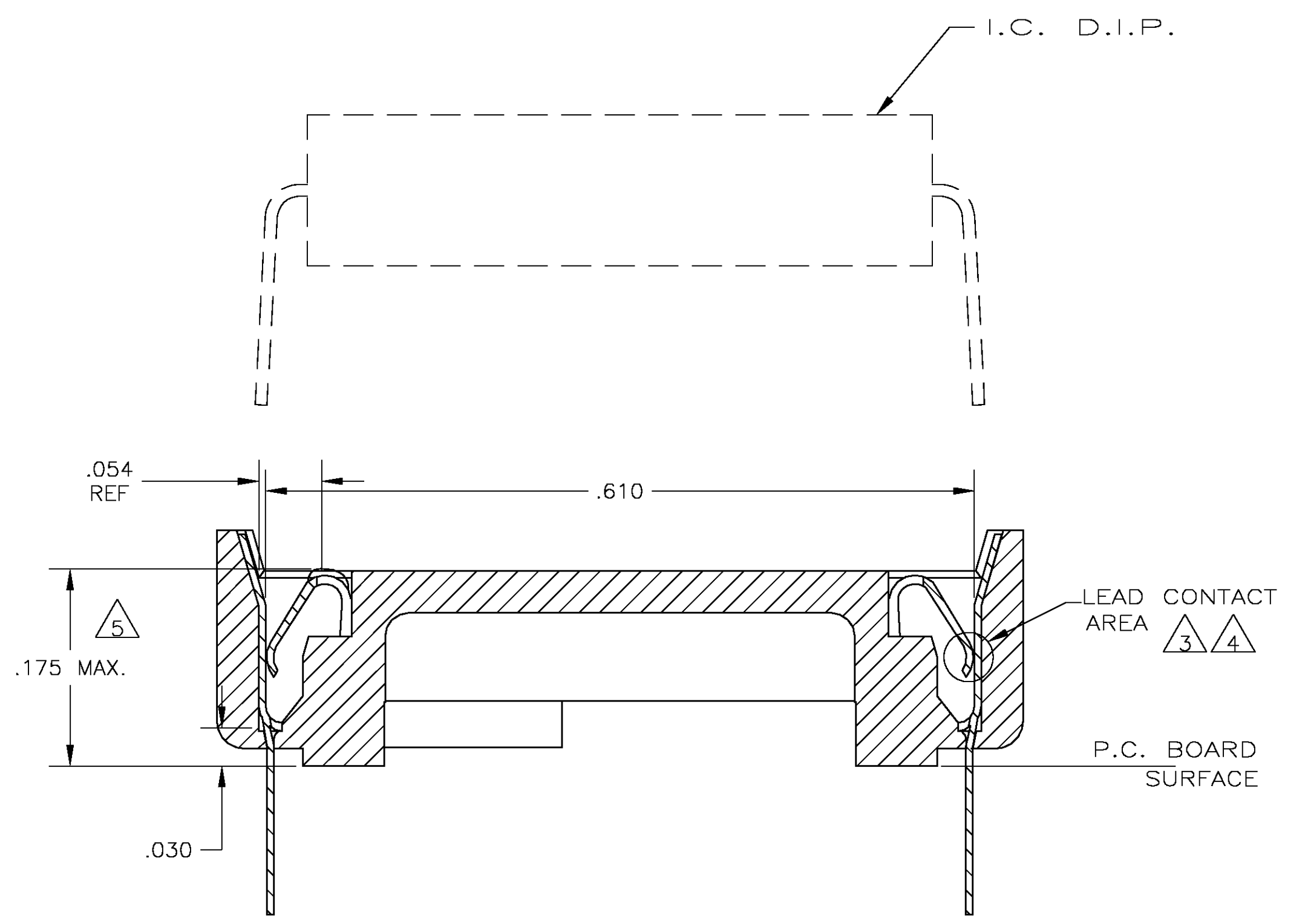
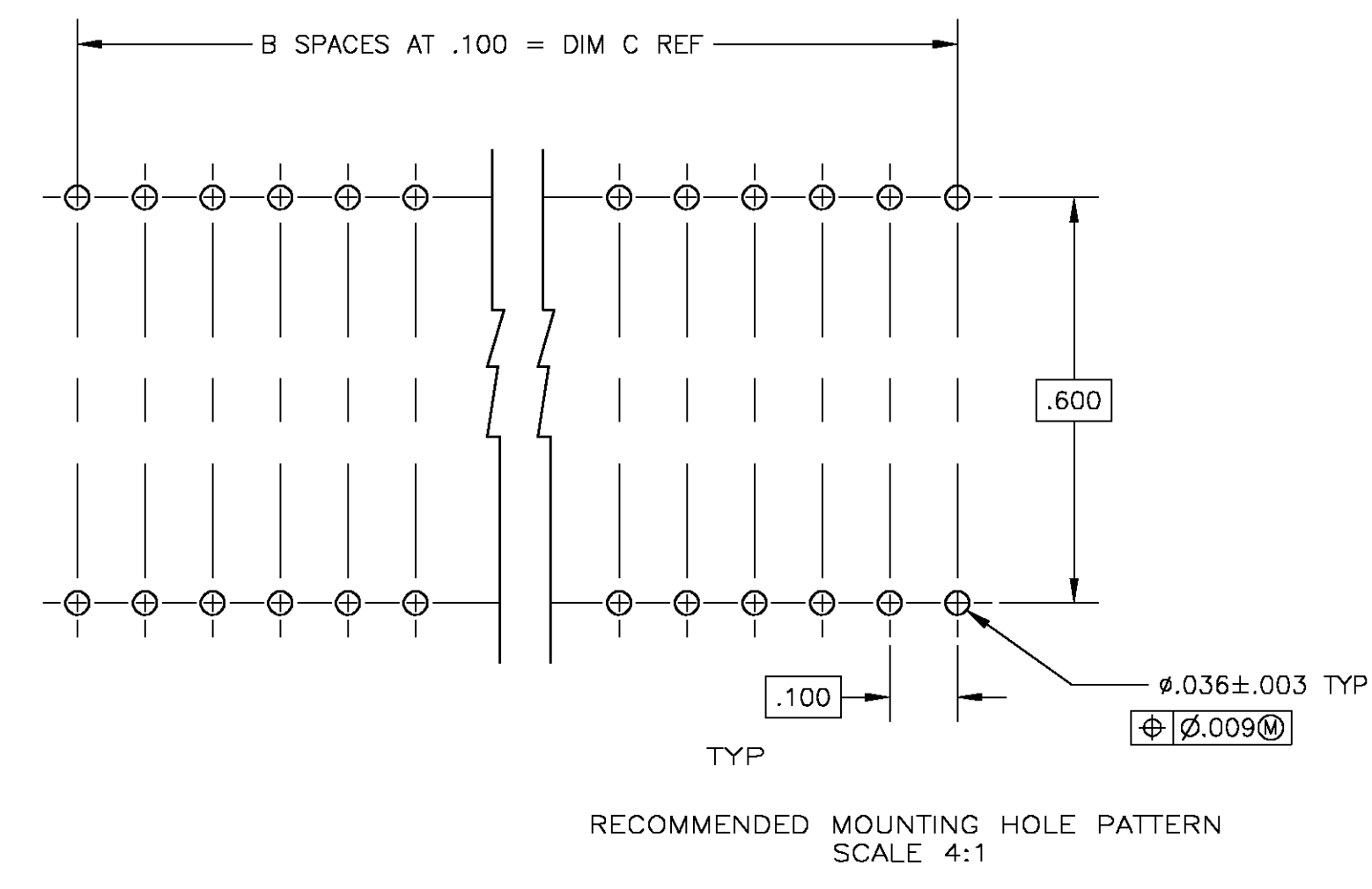


1. RECEPTACLE ACCEPTS A .008-.014 THICK I.C. LEAD.
2. TUBE LOADED FOR AUTOMATIC INSERTION.
3. BECU CONTACT-PLATED WITH TWO .000030 MIN THK. GOLD STRIPES IN CONTACT AREA WITH TIN ON CONTACT LEGS, BALANCE OF CONTACT NICKEL PLATED.
4. PHOS BRONZE CONTACT-PLATED TWO .000015 MIN THK. GOLD STRIPES IN CONTACT AREA WITH TIN ON CONTACT LEGS, BALANCE OF CONTACT NICKEL PLATED.
5. MAXIMUM DIMENSION FOR I.C. SEATING PLANE.
6. HOUSING MATERIAL- GLASS FILLED THERMOPLASTIC, BLACK, 94V-0



SECTION A-A
SCALE 10:1



CONTACT & FINISH	DIM C	B SPCS	DIM A	POSITION	PART NO.
3	1.900	19	1.995	40	1-1825108-3
3	1.300	13	1.395	28	1-1825108-2
3	1.100	11	1.195	24	1-1825108-1
4	1.900	19	1.995	40	1825108-3
4	1.300	13	1.395	28	1825108-2
4	1.100	11	1.195	24	1825108-1

THIS DRAWING IS A CONTROLLED DOCUMENT.

DIM: B.S.VISWESWARA	21APR2005		Tyco Electronics Corporation Harrisburg, Pa 17105-3608	
CHK: K.WRIGHT	APVD: -		NAME: -	
DIMENSIONS: INCHES	TOLERANCES UNLESS OTHERWISE SPECIFIED:	PRODUCT SPEC	DIP SOCKET ASSY, CLOSED, DIPLOMATE, .600 CL, LEAD FREE	
0 PLC ± -	1 PLC ± -	APPLICATION SPEC	-	
2 PLC ± -	3 PLC ± -	SIZE	CAGE CODE	DRAWING NO
4 PLC ± -	ANGLES ± -	WEIGHT	A100779	1825108
MATERIAL: -	FINISH: -	CUSTOMER DRAWING	SCALE: 5:1	SHEET 1 OF 1